

Centurion® Series

GENERAC®

Centurion Series

CENTURION® SERIES Standby Generators Liquid-Cooled Gas Engine

Centurion® Series

1 of 9

INCLUDES:

- Two Line LCD Tri-Lingual Digital Nexus™ Controller
- Isochronous Electronic Governor
- Sound Attenuated Enclosure
- Closed Coolant Recovery System
- Smart Battery Charger
- UV/Ozone Resistant Hoses
- ±1% Voltage Regulation
- Natural Gas or LP Operation
- 2 Year Limited Warranty
- UL 2200 Listed

*Note: 25-45 kW units are field convertible between natural gas or LP. 60 kW units are built per fuel requirement and are not convertible.

Standby Power Rating

- Model 005594-2 (Steel - Gray) - 25 kW 60 Hz
- Model 005596-2 (Steel - Gray) - 30 kW 60 Hz
- Model 005598-3 (Steel - Gray) - 45 kW 60 Hz
- Model 005603-3 (Steel - Gray, Natural Gas) - 60 kW 60 Hz
- Model 005609-3 (Aluminum - Gray, LP) - 60 kW 60 Hz



Meets EPA Emission Regulations
25, 30 & 45 kW CA/MA emissions compliant
60 kW not for sale in CA/MA

FEATURES

- **INNOVATIVE DESIGN & PROTOTYPE TESTING** are key components of GENERAC'S success in "IMPROVING POWER BY DESIGN." But it doesn't stop there. Total commitment to component testing, reliability testing, environmental testing, destruction and life testing, plus testing to applicable CSA, NEMA, EGSA, and other standards, allows you to choose GENERAC POWER SYSTEMS with the confidence that these systems will provide superior performance.
- **TEST CRITERIA:**
 - ✓ PROTOTYPE TESTED
 - ✓ SYSTEM TORSIONAL TESTED
 - ✓ NEMA MG1-22 EVALUATION
 - ✓ MOTOR STARTING ABILITY
- **SOLID-STATE, FREQUENCY COMPENSATED VOLTAGE REGULATION.** This state-of-the-art power maximizing regulation system is standard on all Generac models. It provides optimized FAST RESPONSE to changing load conditions and MAXIMUM MOTOR STARTING CAPABILITY by electronically torque-matching the surge loads to the engine. Digital voltage regulation at ±1%.
- **SINGLE SOURCE SERVICE RESPONSE** from Generac's extensive dealer network provides parts and service know-how for the entire unit, from the engine to the smallest electronic component.
- **GENERAC TRANSFER SWITCHES.** Long life and reliability are synonymous with GENERAC POWER SYSTEMS. One reason for this confidence is that the GENERAC product line includes its own transfer systems and controls for total system compatibility.

GENERAC®

Centurion Series



25 • 30 • 45 • 60 kW
application & engineering data
GENERATOR SPECIFICATIONS

Type	Synchronous
Rotor Insulation Class	H
Stator Insulation Class	H
Telephone Interference Factor (TIF)	<50
Alternator Output Leads 1-Phase	4 wire
Bearings	Sealed Ball
Coupling	Flexible Disc
Excitation System	Direct

VOLTAGE REGULATION

Type	Electronic
Sensing	Single Phase
Regulation	± 1%

GOVERNOR SPECIFICATIONS

Type	Electronic
Frequency Regulation	Isochronous
Steady State Regulation	± 0.25%

ELECTRICAL SYSTEM

Battery Charge Alternator	12V 15 Amp-25 & 30 kW 12V 30 Amp-45 & 60 kW
Static Battery Charger	2 Amp
Recommended Battery	Group 26, 525 CCA
System Voltage	12 Volts

GENERATOR FEATURES

Revolving field heavy duty generator
 Directly connected to the engine
 Operating temperature rise 120 °C above a 40 °C ambient
 Class H insulation is rated at 150 °C rise at 25 °C ambient
 All models fully prototyped tested

ENCLOSURE FEATURES

Steel weather protective enclosure with aluminum roof (all models) or aluminum weather protective enclosure (available on 60kW only)	Ensures protection against mother nature. Electrostatically applied textured epoxy paint for added durability.
Enclosed critical grade muffler	Quiet, critical grade muffler is mounted inside the unit to prevent injuries.
Small, compact, attractive	Makes for an easy, eye appealing installation.
SAE	Sound attenuated enclosure ensures quiet operation.

ENGINE SPECIFICATIONS: 25 & 30 kW

Make	Generac
Model	In-line
Cylinders	4
Displacement (Liters)	1.5
Bore (in/mm)	3.05/77.4
Stroke (in/mm)	3.13/79.5
Compression Ratio	11:1
Intake Air System	Naturally Aspirated
Lifter Type	Hydraulic

ENGINE SPECIFICATIONS: 45 & 60 kW

Make	Generac
Model	In-line
Cylinders	4
Displacement (Liters)	2.4
Bore (in/mm)	3.41/86.5
Stroke (in/mm)	3.94/100
Compression Ratio	9.5:1
Intake Air System	Naturally Aspirated (45 kW) or Turbocharged/Aftercooled (60 kW)
Lifter Type	Hydraulic

ENGINE LUBRICATION SYSTEM

Oil Pump Type	Gear
Oil Filter Type	Full flow spin-on cartridge
Crankcase Capacity (qt/l)	4/3.8

ENGINE COOLING SYSTEM

Type	Closed
Water Pump	Belt driven
Fan Speed (rpm)	2484 - 25 & 30 kW 1865 - 45 kW 2100 - 60 kW
Fan Diameter (in/mm)	17.7/449.6 (25 & 30 kW) or 22/558.8 (45 & 60 kW)
Fan Mode	Pusher (25 & 30 kW) or Puller (45 & 60 kW)

FUEL SYSTEM

Fuel Type	Natural gas, propane vapor
Carburetor	Down Draft
Secondary Fuel Regulator	Standard
Fuel Shut Off Solenoid	Standard
Operating Fuel Pressure	5-14" water column/9-26 mm mercury

(All ratings in accordance with BS5514, ISO3046, ISO8528, SAE J1349 and DIN6271)

25 • 30 • 45 • 60 kW

operating data

GENERATOR OUTPUT VOLTAGE/kW - 60Hz

	005594-2	005596-2	005598-3	005603-3/ 005609-3
Voltage	120/240, 1Ø, 1.0 pf			
kW LPG	25	30	45	60
Amp LPG	104	125	188	250
kW Nat. Gas	25	30	45	60
Amp Nat. Gas	104	125	188	250
CB Size (Both)	125	150	200	300

SURGE CAPACITY IN AMPS

	Voltage Dip @ < .4 pf	
	15%	30%
25 kW	86	209
30 kW	109	264
45 kW	61	153
60 kW	95	237

ENGINE FUEL CONSUMPTION

		Natural Gas		Propane	
		(ft ³ /hr)	(m ³ /hr)	(gal/hr)	(l/hr)
25 kW	Exercise cycle	60	1.7	0.7	2.5
	25% of rated load	220	6.3	2.9	9.1
	50% of rated load	297	8.4	3.3	12.3
	75% of rated load	362	10.3	4	15
	100% of rated load	430	12.2	4.7	17.8
30 kW	Exercise cycle	60	1.7	0.7	2.5
	25% of rated load	240	6.8	2.6	10
	50% of rated load	320	9.1	3.5	13.3
	75% of rated load	400	11.4	4.4	16.6
	100% of rated load	492	14	5.4	20.4
45 kW	Exercise cycle	65	1.8	0.7	2.6
	25% of rated load	210	6	2.3	8.6
	50% of rated load	380	10.8	4.2	15.7
	75% of rated load	545	15.5	5.9	22.4
	100% of rated load	730	20.7	8	30.1
60 kW	Exercise cycle	123	3.5	1.34	5.1
	25% of rated load	267	7.6	2.7	10.5
	50% of rated load	483	13.7	5	19
	75% of rated load	672	19.1	7	26.5
	100% of rated load	862	24.5	9	33.9

Note: **Fuel pipe must be sized for full load.**

For Btu content, multiply gal/hr x 90950 (LP) or ft³/hr x 1000 (NG)

For megajoule content, multiply l/hr x 25.35 (LP) or m³/hr x 37.26 (NG)

Refer to "Emissions Data Sheets" for maximum fuel flow for EPA and SCAQMD permitting purposes.

STANDBY RATING: Standby ratings apply to installations served by a reliable utility source. The standby rating is applicable to varying loads for the duration of a power outage. There is no overload capability for this rating. Ratings are in accordance with ISO-3046-1. Design and specifications are subject to change without notice.

25 • 30 • 45 • 60 kW

operating data

ENGINE COOLING

	25 kW	30 kW	45 kW	60 kW
Air flow (inlet air including alternator and combustion air in cfm/cmm)	2490/70.5	2490/70.5	2725/77.2	3280/92.9
System coolant capacity (gal/liters)	2/7.6	2/7.6	3/11.4	2.5/9.5
Heat rejection to coolant (BTU per hr/MJ per hr)	112,000/118.2	135,000/142.4	193,000/203.6	270,000/284.9
Maximum operation air temperature on radiator (°C/°F)	60/150			
Maximum ambient temperature (°C/°F)	50/140			

COMBUSTION REQUIREMENTS

Flow at rated power (cfm/cmm)	62/1.8	72/2	144/4.1	180/5.1
-------------------------------	--------	------	---------	---------

SOUND EMISSIONS

Sound output in dB(A) at 23 ft (7 m) with generator in exercise mode*	59	59	61	65
Sound output in dB(A) at 23 ft (7 m) with generator operating at normal load*	72	73	73	72

*Sound levels are taken from the front of the generator. Sound levels taken from other sides of the generator may be higher depending on installation parameters.

EXHAUST

Exhaust flow at rated output (cfm/cmm)	203/5.7	237/6.7	420/11.9	494/14
Exhaust temperature at muffler outlet (°C/°F)	593/1100	610/1130	593/1100	566/1050

ENGINE PARAMETERS

Rated Synchronous rpm	3600
-----------------------	------

POWER ADJUSTMENT FOR AMBIENT CONDITIONS

Temperature Deration3% for every 10 °C above 25 °C or 1.65% for every 10 °F above 77 °F
 Altitude Deration (25, 30 & 45 kW)1% for every 100 m above 183 m or 3% for every 1000 ft above 600 ft
 Altitude Deration (60 kW) 1% for every 100 m above 915 m or 3% for every 1000 ft above 3000 ft

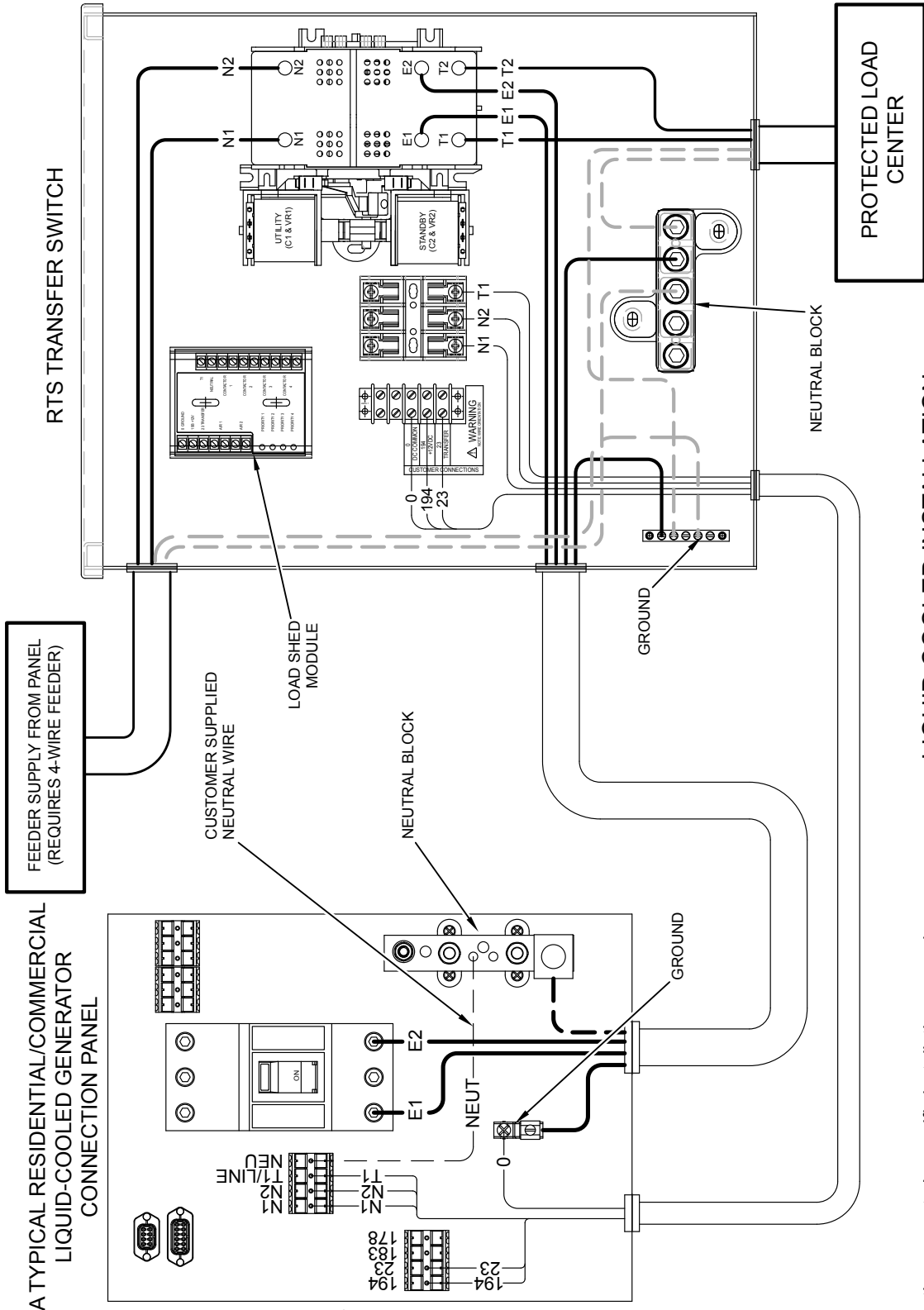
CONTROLLER FEATURES

2-Line Plain Text LCD DisplaySimple user interface for ease of operation
 Mode Switch: AutoAutomatic Start on Utility failure. 7 day exerciser
 OffStops unit. Power is removed. Control and charger still operate.
 Manual Start with starter control, unit stays on. If utility fails, transfer to load takes place.
 Programmable start delay between 10-30 seconds Standard
 Engine Start Sequence Cyclic cranking: 16 sec on, 7 rest (90 sec maximum duration)
 Engine Warm-up 5 sec
 Engine Cool-Down 1 min
 Starter Lock-out Starter cannot re-engage until 5 sec after engine has stopped.
 Smart Battery Charger Standard
 Automatic Voltage Regulation with Over and Under Voltage Protection Standard
 Automatic Low Oil Pressure Shutdown Standard
 Overspeed Shutdown Standard, 72 Hz
 High Temperature Shutdown Standard
 Overcrank Protection Standard
 Safety Fused Standard
 Failure to Transfer Protection Standard
 Low Battery Protection Standard
 50 Event Run Log Standard
 Future Set Capable Exerciser Standard
 Incorrect Wiring Protection Standard
 Internal Fault Protection Standard
 Common External Fault Capability Standard
 Governor Failure Protection Standard

Model #	Product	Description
006175-0 - 25 & 30 kW 005630-0 - 45 & 60 kW	Cold Weather Kit	If the temperature regularly falls below 32 °F (0 °C), install a cold weather kit to maintain optimal battery temperature. Kit consists of battery warmer with thermostat built into the wrap.
006174-0 - 25 & 30 kW 005616-0 - 45 & 60 kW	Extreme Cold Weather Kit	Recommended where the temperature regularly falls below 32 °F (0 °C) for extended periods of time. For liquid cooled units only.
005621-0	Auxiliary Transfer Switch Contact Kit	The auxiliary transfer switch contact kit allows the transfer switch to lock out a single large electrical load you may not need. Not compatible with 60 kW models. Not compatible with 60 kW models.
005651-0	Base Plug Kit	Add base plugs to the base of the generator to keep out debris.
005704-0	Paint Kit	If the generator enclosure is scratched or damaged, it is important to touch-up the paint to protect from future corrosion. The paint kit includes the necessary paint to properly maintain or touch-up a generator enclosure.
006176-0 - 25 & 30 kW 006172-0 - 45 kW 006171-0 - 60 kW	Scheduled Maintenance Kit	The Liquid-Cooled Scheduled Maintenance Kits offer all the hardware necessary to perform complete maintenance on Generac liquid-cooled generators.
005928-0	Wireless Remote	Completely wireless and battery powered, Generac's wireless remote monitor provides you with instant status information without ever leaving the house.
005951-0	Advanced Wireless Remote	Remotely control generator functions with the advanced model's LCD display. In addition to remote testing of the generator, set the exercise cycle and maintenance interval reminders.
006199-0	PMM Starter Kit	The PMM Starter Kit consists of a 24 VAC, field installed transformer that enables the use of the 24 VAC Power Management Modules (PMMs) and one PMM. The standard controller (without starter kit) can control two HVAC loads with no additional hardware. Not compatible with pre-wired switches.
006186-0	Power Management Module (50 Amps)	Power Management Modules are used in conjunction with the Smart Switch to increase its power management capabilities. It gives the Smart Switch additional power management flexibility not found in any other transfer switch. Not compatible with pre-wired switches. Note: PMM Starter Kit required.
006463-1	Mobile Link™	Generac's Mobile Link allows you to check the status of your generator from anywhere that you have access to an Internet connection from a PC or with any smart device. You will even be notified when a change in the generator's status occurs via e-mail or text message. Note: Harness Adapter Kit required.
006478-0	Harness Adapter Kit	The Harness Adapter Kit is required to make liquid-cooled units compatible with Mobile Link™.

25 • 30 • 45 • 60 kW

interconnections



RTS TRANSFER SWITCH

FEEDER SUPPLY FROM PANEL
(REQUIRES 4-WIRE FEEDER)

CUSTOMER SUPPLIED
NEUTRAL WIRE

LOAD SHED
MODULE

NEUTRAL BLOCK

GROUND

NEUTRAL BLOCK

PROTECTED LOAD
CENTER

A TYPICAL RESIDENTIAL/COMMERCIAL
LIQUID-COOLED GENERATOR
CONNECTION PANEL

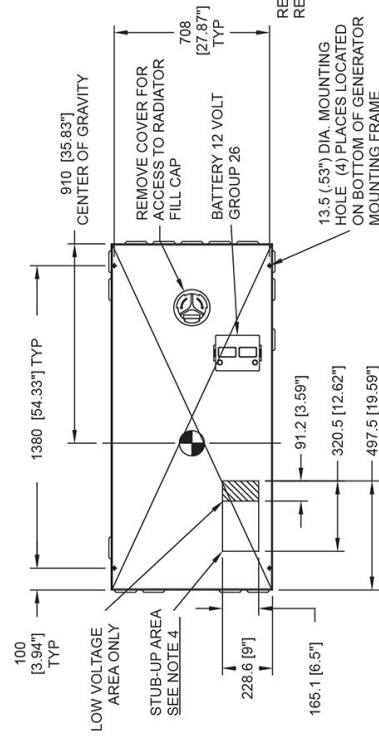
NOTE:
MATCH WIRE
NUMBERS TO
TERMINAL NUMBERS

LIQUID COOLED INSTALLATION

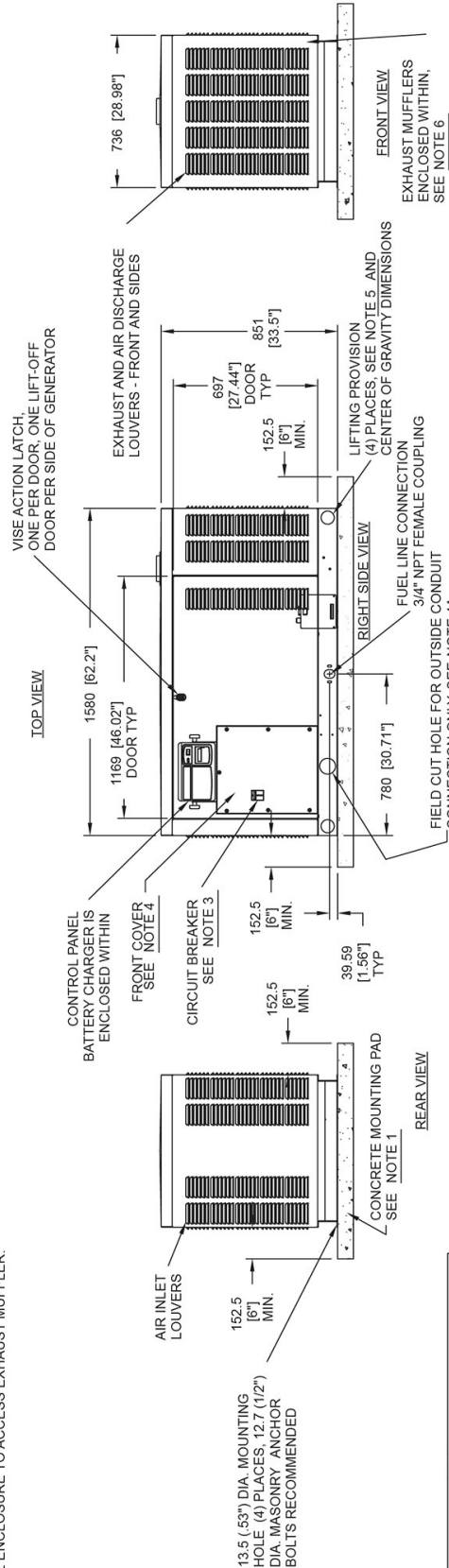
Note: Use the generator's specific installation manual and wiring diagrams to verify generator wiring connections, as they may differ slightly from illustration.

SERVICE ITEM	ACCESS
OIL FILL CAP	EITHER DOOR
OIL DIP STICK	THRU RIGHT DOOR
OIL FILTER	THRU RIGHT DOOR
OIL DRAIN HOSE	THRU RIGHT DOOR
RADIATOR DRAIN HOSE	THRU RIGHT DOOR
AIR CLEANER ELEMENT	THRU RIGHT DOOR
MUFFLERS	SEE NOTE 6
FAN BELT	THRU RIGHT DOOR
BATTERY	THRU RIGHT DOOR

REFERENCE OWNERS MANUAL FOR PERIODIC REPLACEMENT PART LISTINGS



- NOTES:**
- 1) MINIMUM RECOMMENDED CONCRETE PAD SIZE: 1041 (41.0") WIDE X 1892 (74.5") LONG. REFERENCE INSTALLATION GUIDE SUPPLIED WITH UNIT FOR CONCRETE PAD GUIDELINES.
 - 2) ALLOW SUFFICIENT ROOM ON ALL SIDES OF THE GENERATOR FOR MAINTENANCE AND SERVICING. THIS UNIT MUST BE INSTALLED IN ACCORDANCE WITH CURRENT APPLICABLE NFPA 37 AND NFPA 70 STANDARDS AS WELL AS ANY OTHER FEDERAL, STATE AND LOCAL CODES FOR MINIMUM DISTANCES FROM OTHER STRUCTURES.
 - 3) CIRCUIT BREAKER INFORMATION: SEE SPECIFICATION SHEET WITHIN OWNERS MANUAL
 - 4) INSIDE STUB-UP AREA FOR AC LOAD LEAD CONDUIT CONNECTION, NEUTRAL CONNECTION, BATTERY CHARGER 120 VOLT AC (5 AMP MAX.) CONNECTION, ACCESS TO TRANSFER SWITCH CONTROL WIRES, AND TRANSFER SWITCH CONNECTION (IF SO EQUIPPED). REMOVE FRONT COVER FOR ACCESS.
 - 4A) FIELD CUT HOLE IS ONLY REQUIRED FOR MOUNTING OF GENERATOR ON AN EXISTING PAD.
 - 5) REFERENCE OWNERS MANUAL FOR LIFTING WARNINGS.
 - 6) REMOVE ENCLOSURE TO ACCESS EXHAUST MUFFLER.

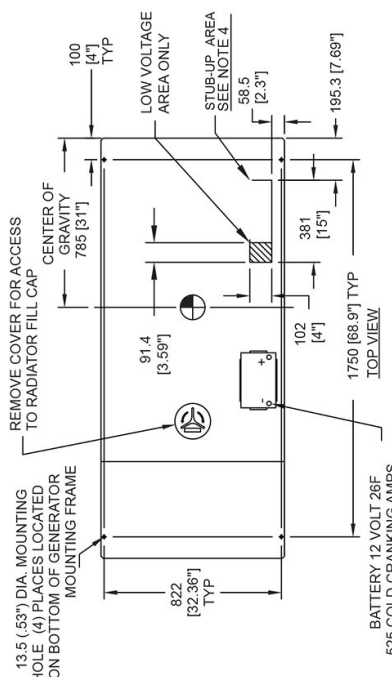


ENGINE/RW		WEIGHT DATA		SHIPPING	
ENCLOSURE MATERIAL	WEIGHT (GEN/SHIPPING) (KG/LBS)	WEIGHT (WOODEN SHIPPING CRATE/SHIPPING) (KG/LBS)	WEIGHT (SKID WEIGHT) (KG/LBS)	WEIGHT (SKID WEIGHT) (KG/LBS)	WEIGHT (SKID WEIGHT) (KG/LBS)
1.5L/29KW STEEL	379 [855]	30 [66]	409 [901]	409 [901]	409 [901]
1.5L/30KW STEEL	406 [895]	30 [66]	436 [961]	436 [961]	436 [961]

SERVICE ITEM ACCESSIBILITY CHART

SERVICE ITEM	2-4L
OIL FILL CAP	ETHER DOOR
OIL DIP STICK	THRU RIGHT DOOR
OIL FILTER	THRU RIGHT DOOR
OIL DRAIN HOSE	THRU RIGHT DOOR
RADIATOR DRAIN HOSE	THRU LEFT DOOR
AIR CLEANER ELEMENT	ETHER DOOR
MUFFLER	SEE NOTE 6
FAN BELT	SEE NOTE 6
BATTERY	THRU LEFT DOOR

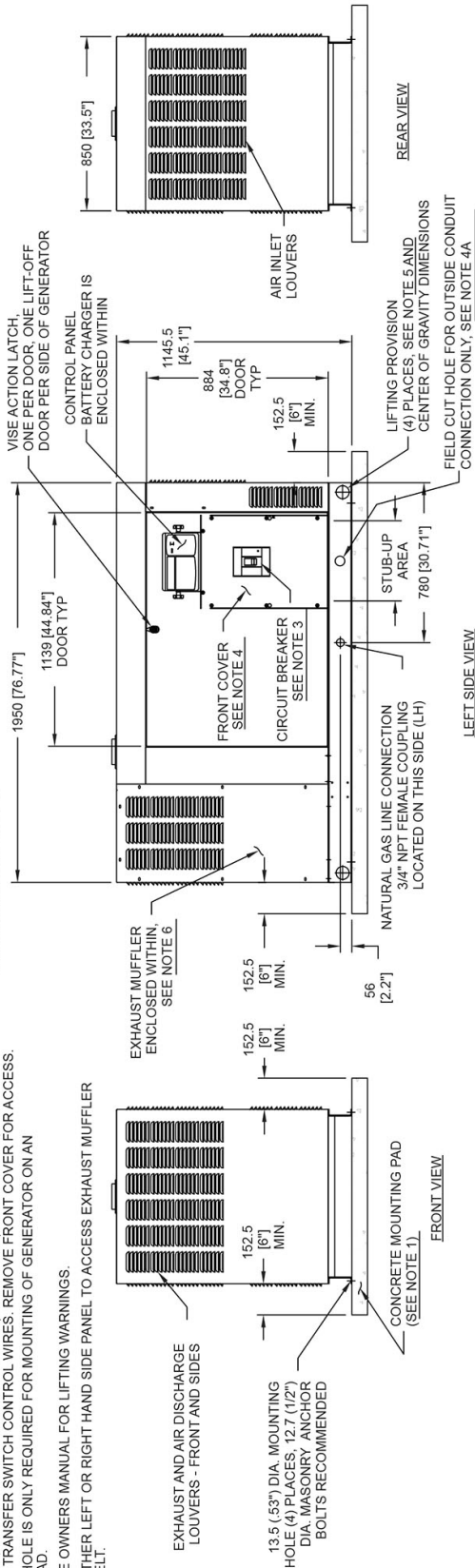
REFERENCE OWNERS MANUAL FOR PERIODIC REPLACEMENT PART LISTINGS



WEIGHT DATA

ENGINE/KW	ENCLOSURE MATERIAL	WEIGHT (GENSET ONLY) KG (LBS)	WEIGHT (W/COVER) KG (LBS)	SHIPPING WEIGHT (W/COVER AND GENSET) KG (LBS)
2-4L/25KW	STEEL	631 [1395]	44 [98]	676 [1491]
2-4L/35KW	ALUMINUM	579 [1276]	44 [98]	623 [1374]
2-4L/35KW	STEEL	631 [1395]	44 [98]	676 [1491]
2-4L/45KW	ALUMINUM	579 [1276]	44 [98]	623 [1374]
2-4L/45KW	STEEL	641 [1414]	44 [98]	686 [1512]
2-4L/45KW	ALUMINUM	588 [1297]	44 [98]	633 [1395]

- NOTES:
- 1) MINIMUM RECOMMENDED CONCRETE PAD SIZE: 1155 (45.5") WIDE X 2255 (88.8") LONG REFERENCE INSTALLATION GUIDE SUPPLIED WITH UNIT FOR CONCRETE PAD GUIDELINES.
 - 2) ALLOW SUFFICIENT ROOM ON ALL SIDES OF THE GENERATOR FOR MAINTENANCE AND SERVICING. THIS UNIT MUST BE INSTALLED IN ACCORDANCE WITH CURRENT APPLICABLE NFPA 37 AND NFPA 70 STANDARDS AS WELL AS ANY OTHER FEDERAL, STATE AND LOCAL CODES FOR MINIMUM DISTANCES FROM OTHER STRUCTURES.
 - 3) CIRCUIT BREAKER INFORMATION: SEE SPECIFICATION SHEET WITHIN OWNERS MANUAL.
 - 4) INSIDE STUB-UP AREA FOR AC LOAD LEAD CONDUIT CONNECTION, NEUTRAL CONNECTION, BATTERY CHARGER 120 VOLT AC (5 AMP MAX.) CONNECTION, AND ACCESS TO TRANSFER SWITCH CONTROL WIRES. REMOVE FRONT COVER FOR ACCESS.
 - 4A) FIELD CUT HOLE IS ONLY REQUIRED FOR MOUNTING OF GENERATOR ON AN EXISTING PAD.
 - 5) REFERENCE OWNERS MANUAL FOR LIFTING WARNINGS.
 - 6) REMOVE EITHER LEFT OR RIGHT HAND SIDE PANEL TO ACCESS EXHAUST MUFFLER AND FAN BELT.

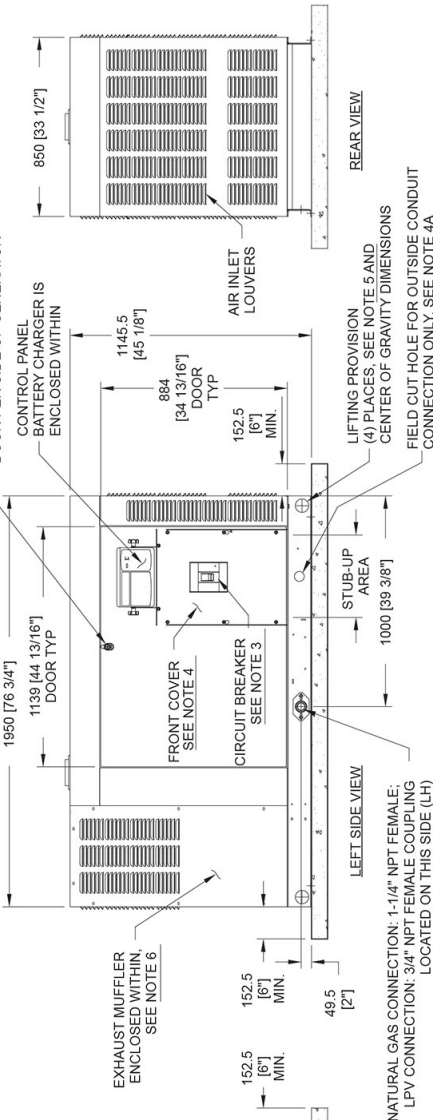
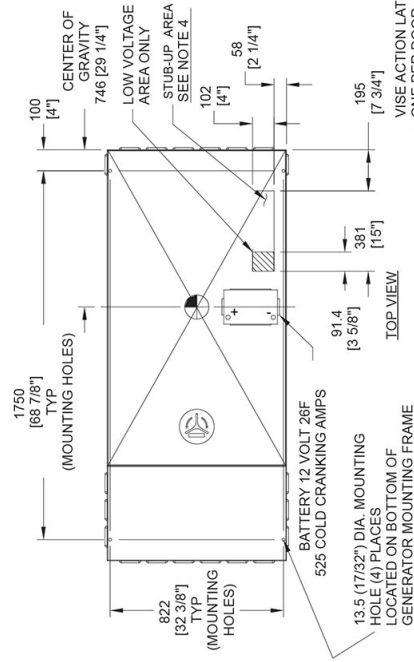


- 13.5 (.53") DIA. MOUNTING HOLE (4) PLACES LOCATED ON BOTTOM OF GENERATOR MOUNTING FRAME
- REMOVE COVER FOR ACCESS TO RADIATOR FILL CAP
- LOW VOLTAGE AREA ONLY
- STUB-UP AREA SEE NOTE 4
- 100 [4"] TYP
- 785 [31"] CENTER OF GRAVITY
- 91.4 [3.59"]
- 822 [32.36"] TYP
- 1750 [68.9"] TYP
- 1139 [44.84"] DOOR TYP
- 1950 [76.77"] BATTERY 12 VOLT 26F 525 COLD CRANKING AMPS
- 1145.5 [45.7"]
- 884 [34.8"] DOOR TYP
- 152.5 [6"] MIN
- 780 [30.7"] STUB-UP AREA
- 56 [2.2"] NATURAL GAS LINE CONNECTION 3/4" NPT FEMALE COUPLING LOCATED ON THIS SIDE (LH)
- 152.5 [6"] MIN
- 13.5 (.53") DIA. MOUNTING HOLE (4) PLACES, 12.7 (1/2") DIA. MASONRY ANCHOR BOLTS RECOMMENDED
- EXHAUST MUFFLER ENCLOSED WITHIN SEE NOTE 6
- EXHAUST AND AIR DISCHARGE LOUVERS - FRONT AND SIDES
- CONCRETE MOUNTING PAD (SEE NOTE 1)
- FRONT VIEW
- LEFT SIDE VIEW
- REAR VIEW
- AIR INLET LOUVERS
- CONTROL PANEL BATTERY CHARGER IS ENCLOSED WITHIN
- WISE ACTION LATCH, ONE PER DOOR, ONE LIFT-OFF DOOR PER SIDE OF GENERATOR
- LIFTING PROVISION (4) PLACES, SEE NOTE 5 AND CENTER OF GRAVITY DIMENSIONS
- FIELD CUT HOLE FOR OUTSIDE CONDUIT CONNECTION ONLY, SEE NOTE 4A

SERVICE ITEM ACCESSIBILITY CHART

SERVICE ITEM	2.4L
OIL FILL CAP	THRU RIGHT DOOR
OIL DIP STICK	THRU RIGHT DOOR
OIL FILTER	THRU LEFT DOOR
OIL DRAIN HOSE	THRU RIGHT DOOR
RADIATOR DRAIN HOSE	THRU LEFT DOOR
AIR CLEANER ELEMENT	THRU LEFT DOOR
MUFFLER	SEE NOTE 6
FAN BELT	SEE NOTE 6
BATTERY	THRU LEFT DOOR

REFERENCE OWNERS MANUAL FOR PERIODIC REPLACEMENT PART LISTINGS



- NOTES:**
- 1) MINIMUM RECOMMENDED CONCRETE PAD SIZE: 1155 (45 1/2") WIDE X 2255 (88 7/8") LONG REFERENCE INSTALLATION GUIDE SUPPLIED WITH UNIT FOR CONCRETE PAD GUIDELINES.
 - 2) ALLOW SUFFICIENT ROOM ON ALL SIDES OF THE GENERATOR FOR MAINTENANCE AND SERVICING. THIS UNIT MUST BE INSTALLED IN ACCORDANCE WITH CURRENT APPLICABLE NFPA 37 AND NFPA 70 STANDARDS AS WELL AS ANY OTHER FEDERAL, STATE AND LOCAL CODES FOR MINIMUM DISTANCES FROM OTHER STRUCTURES.
 - 3) CIRCUIT BREAKER INFORMATION: SEE SPECIFICATION SHEET WITHIN OWNERS MANUAL
 - 4) INSIDE STUB-UP AREA FOR AC LOAD LEAD CONDUIT CONNECTION, NEUTRAL CONNECTION, BATTERY CHARGER 120 VOLT AC (0.5 AMP MAX.) CONNECTION, AND ACCESS TO TRANSFER SWITCH CONTROL WIRES. REMOVE FRONT COVER FOR ACCESS.
 - 4A) FIELD CUT HOLE IS ONLY REQUIRED FOR MOUNTING OF GENERATOR ON AN EXISTING PAD.
 - 5) REFERENCE OWNERS MANUAL FOR LIFTING WARNINGS.
 - 6) REMOVE EITHER LEFT OR RIGHT HAND SIDE PANEL TO ACCESS EXHAUST MUFFLER AND FAN BELT.

WEIGHT DATA

ENCLOSURE MATERIAL	WEIGHT (GENSET ONLY) KG (LBS)	WEIGHT (WOOD CRATE (SHED) AND GENSET) KG (LBS)	SHIPPING WEIGHT (GENSET AND CRATE) KG (LBS)
STEEL	654 [1441]	44 [98]	699 [1539]
ALUMINUM	600 [1324]	44 [98]	645 [1422]